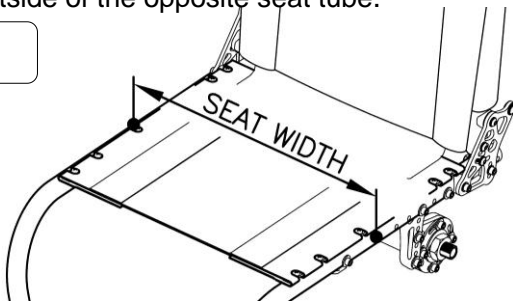


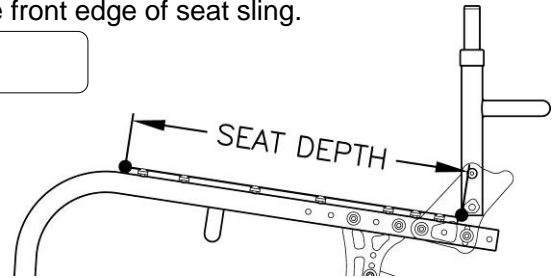
1. SEAT WIDTH

Measure from outside of seat tube to the outside of the opposite seat tube.



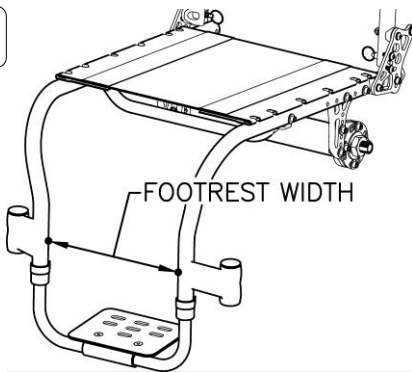
2. SEAT DEPTH

Measure from at the front bottom of backrest tube to the front edge of seat sling.



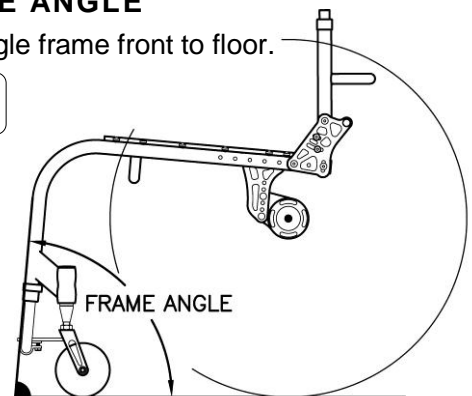
3. FOOTREST WIDTH

Measure from inside of front frame tube to inside of opposite front frame tube.



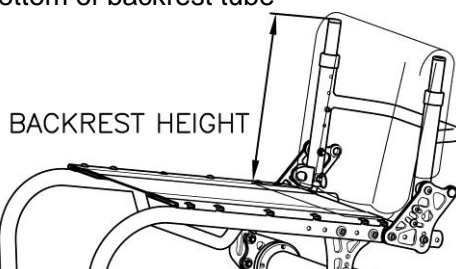
4. FRAME ANGLE

Measure angle frame front to floor.



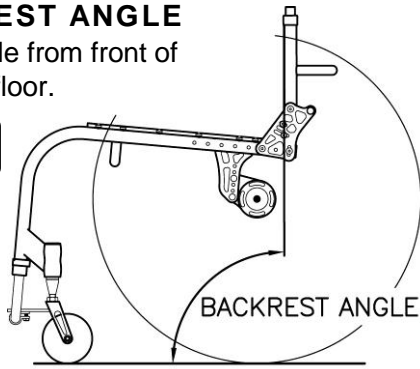
5. BACKREST HEIGHT

Measure from top of back post to seat sling at front bottom of backrest tube



6. BACKREST ANGLE

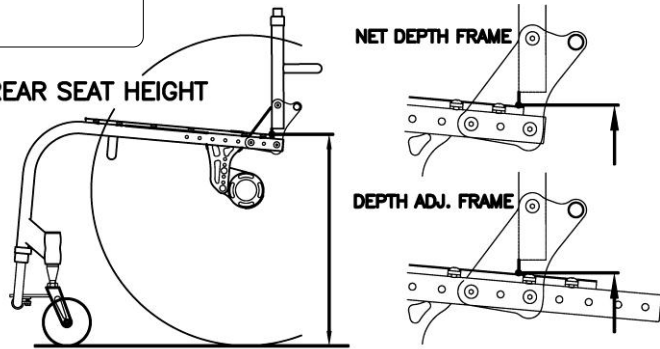
Measure angle from front of back post to floor.



8. REAR SEAT HEIGHT

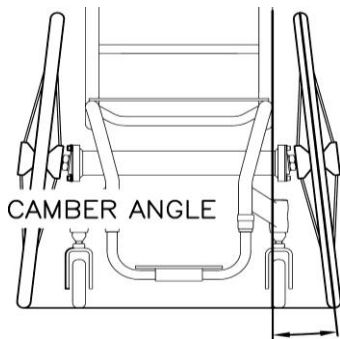
Measure from floor to top of seat sling at front bottom of backrest tube

REAR SEAT HEIGHT



10. CAMBER ANGLE

Measure angle from wheel to vertical at floor.

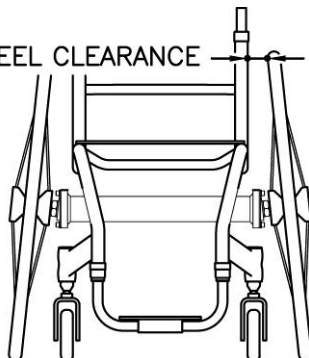


12. INSIDE WHEEL CLEARANCE

Measure from outside of seat back tube to inside of rear tire.

(If side guards are selected, measure from outside of side guards to inside of rear tire.)

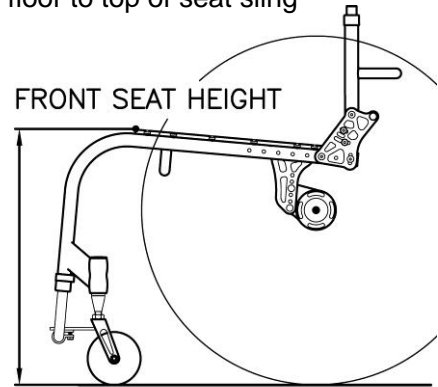
INSIDE WHEEL CLEARANCE



7. FRONT SEAT HEIGHT

Measure from floor to top of seat sling at front edge.

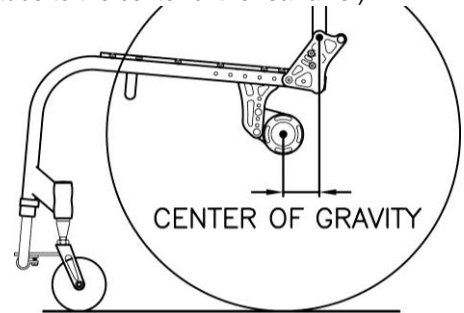
FRONT SEAT HEIGHT



9. CENTER OF GRAVITY

Measure from center of back tube at the folding pivot to the center of the rear axle.

(If welding backrest is selected, Measure from center of back tube at the seat tube to the center of the rear axle.)

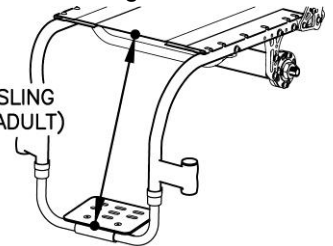


11. FRONT OF SEAT SLING TO FOOTREST

ADULT CHAIR

Measure from top of seat sling at front edge to top of foot plate at front edge.

FRONT OF SEAT SLING TO FOOTREST (ADULT)



PEDIATRIC CHAIR

Measure vertical from top of seat sling at front edge to top of foot plate.

FRONT OF SEAT SLING TO FOOTREST (PEDIATRIC)

